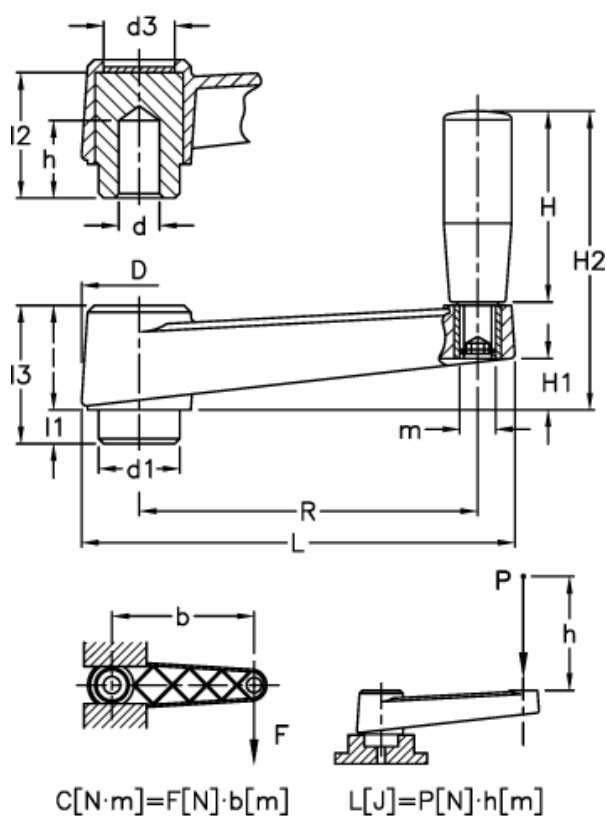


Data Sheet



Article number: 2301044291
 Description: E+G Crank handle
 MT.100

Measures



C (N m) = 200	H2 = 96	R = 100
D = 34	l = 30	
d1 = 24	L = 128	
d3 = 21	L (J) = 27	
d H9 = 8	l1 = 10	
H = 65	l2 = 37	
h = 28	l3 = 40	
H1 = 15	m = M8	